

MD-S928E/Z INTELLIGENT DIGITAL PRESSURE SWITCH



TECHNICAL CHARACTERISTIC:

- ✓ 4 digit LED to show pressure in real time
- ✓ Multiple pressure units available, one key to zero clearing
- ✓ Double relay output signal, each group with NO/NC , independent hysteresis setting
- ✓ Multiple connect method, work as controller, switch, digital electric contact pressure gauge

MD-S928E is a intelligent digital pressure switch setting pressure measurement, pressure display, control in one professional unit. The product can set two groups NO/NC alarm points and also achieve two group high/low pressure control. ‘One key to zero clearing’ and ‘three pressure units to change’ are available.

We pay attention to the stability of circuit to adapt to the operating environment. The product has followed features: strong anti-electromagnetic interference, reverse protection, cells lightning protection. Radial mounting and axial mounting are available. The product all uses 304SS.

APPLICATION:

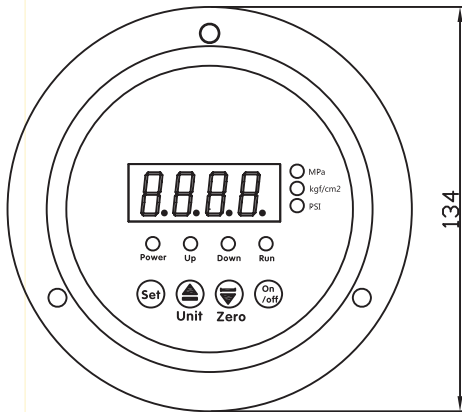
- ◇ Machine automation
- ◇ Engineering machinery
- ◇ Medical equipment
- ◇ Pump & compressor
- ◇ Source and water treatment system
- ◇ Agricultural machinery
- ◇ Testing jig
- ◇ Hydraulic and pneumatic system

SPECIFICATION:

Range	(-0.1~160)MPa,(0~50)kPa
Overload Capacity	≤10Mpa 200% ; > 10Mpa 150% ;
Alarm Point Set	Any point can be set within the range.
Alarm Method	Two groups relay signal (NC/NO)
Acc.	± 0.5%FS
Long-term Stability	Typical: ± 0.5%FS/year
Load Capacity	220VAC 5A 380VAC 3A 24VDC 5A
Supply	24VDC 220VAC 380VAC(Selectable)
Operating Temperature	-20 ~ 80°C
Compensation Temperature	-10 ~ 50°C
Electric Protection	Reversed polarity protection, anti-electromagnetic interference
Sampling Frequency	5 times/sec
Measurement Medium	Liquid, gas compatible with 316SS.
Connector	M20*1.5 (Other customized)
Connector Material	304SS
Shell	304SS
Electric Connection	8 core cables, standard 30cm
Outlet Line	Power: red black 1 group: COM green NO white NC brown 2 group: COM blue NO yellow NC grey

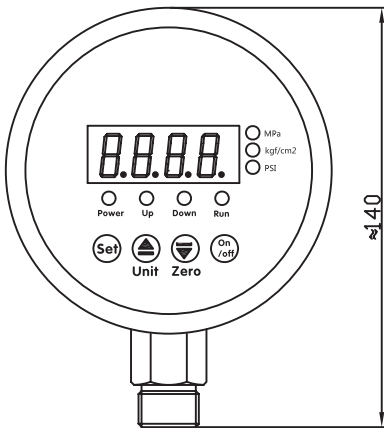
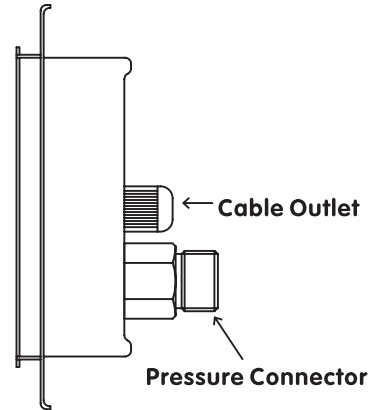


SIZE:

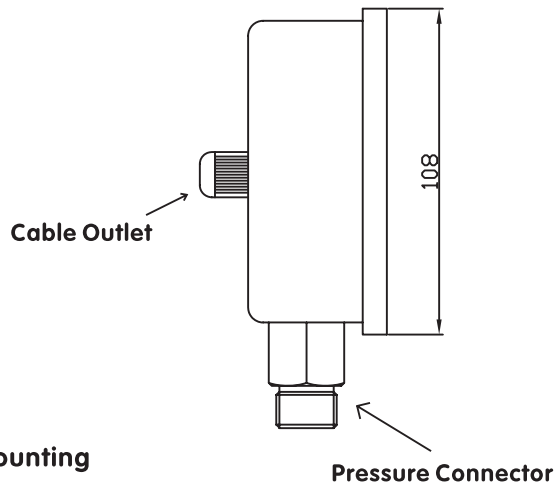


Unit:mm

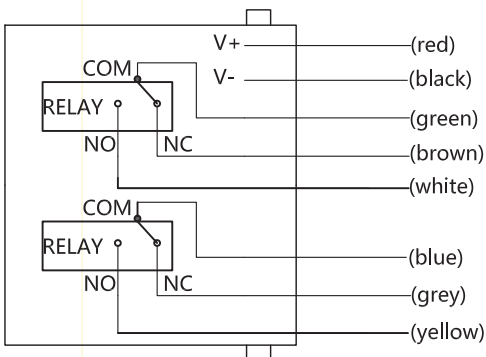
Axial Mounting



Radial Mounting



OUTLET LINE:



Function	Connecting Method
Replacement of digital electric contact pressure gauge	Low pressure alarm: brown High pressure alarm: yellow Common port: green+blue
Low pressure to contact high pressure to break	Output: brown+green Setting AL and hysteresis Ad1
Low pressure to break high pressure to contact	Output: yellow+blue Setting AH and hysteresis Ad2
Two groups high pressure alarm (high pressure to contact)	1 group: white+green (settingAL) 2 group: blue+yellow (settingAH)

Eg: When pressure increases to 10 bar, the relay breaks; and decreases to 4 bar, the relay contacts. Use the 1 group relay to control, setting AL 4 bar and Ad1 6 bar. Use the 2 relay group to control, setting AH 10 bar and Ad2 6 bar.