

## MD-S828EA DIGITAL PRESSURE GAUGE

### TECHNICAL FEATURE:

- ✓ 80mm dial diameter, 304 stainless steel shell and connector
- ✓ Two groups of relays
- ✓ Different pressure units available, one key zero clearing
- ✓ Signal output: 4-20mA and Rs485 available
- ✓ Radial and axial direction mounting available



MD-S828EA is a intelligent digital pressure switch, setting pressure measurement, pressure display, control in one professional unit. It can be set two groups relay signal. About output signal, 4-20mA and Rs485 are available.

We pay more attention to the stability of circuit with anti electromagnetic interference, cells lightning protection and electronic protection. The shell and connector are 304SS. And it is easy to operate.

### APPLICATION:

- ◇ Machine automation
- ◇ Medical equipment
- ◇ Source and water treatment system
- ◇ Testing jig
- ◇ Engineering machinery
- ◇ Pump & compressor
- ◇ Agricultural machinery
- ◇ Hydraulic and pneumatic system

### SPECIFICATION:

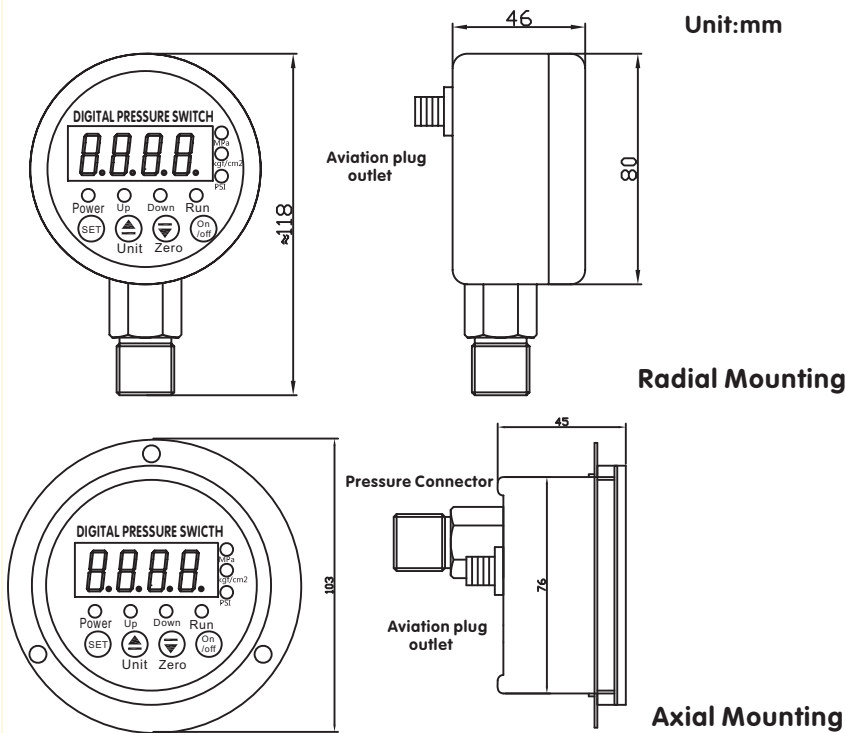
Range	General range: 0-0.2...1.0...1.6...5...10...25...40...60...100...160Mpa Micropressure Range: 0-5...10...25...40...60...100kPa Negative Pressure Range: -0.1-0...0.1...0.25...0.4...0.6...1.0...1.6Mpa
Overload Pressure	≤10Mpa 200% ; > 10Mpa 150% ;
Alarm Point	The whole range is available
Alarm Type	Double relay output signal, 4-20mA or Rs485 available
Acc.	± 0.5%FS
Stability	Typical: ± 0.5%FS/year
Load Capacity	220VAC 3A
Supply	24VDC
Operating Temperature	-20 ~ 80°C
Compensation Temperature	-10 ~ 70°C
Electric Protection	Reverse voltage protection, anti-electromagintic interference
Sampling Frequency	3 Times/sec
Measurement Medium	Gas, liquid
Pressure Connector	M20*1.5 ( other are customized )
Connector Material	304SS
Shell	Stainless Steel
Electric Connection	Waterproof aviation plug(line0.7m)
Output Line	Source: Red black

上海铭控传感技术有限公司  
Shanghai Meokon Sensing Technology Co.,Ltd  
TEL:021-5778 0480 FAX:021-51564102

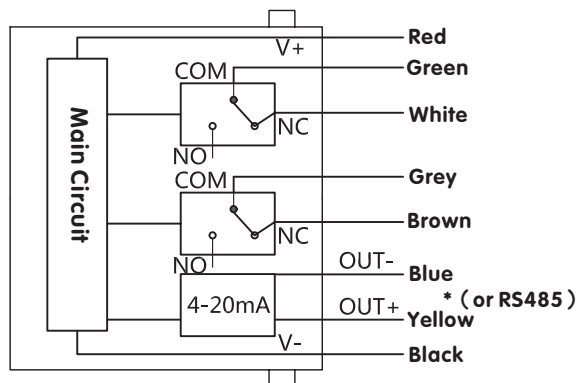


扫一扫，更多产品。

**SIZE:**



**OUTLINE:**



**GUIDE:**

**MD — S828EA — 25M — 1 — P2 — M1 — C — T1 — L**

**Mode:**

S828EA(Radial)  
S828ZA(Axial)

**Range:**

X k (0-X kpa)  
X b (0-X bar)  
X M (0-XMPa)

**Acc.:**

1 (0.5%)

**Power:**

P2(24V)

**Addition:**

L (Display)  
A(4-20mA)  
R (RS485)

**Temperature:**  
T1 (-20~80°C)

**Electrical connection:**  
B(Straight out) C(Aerial plug)

**Screw:**

M1 (M20\*1.5) M2 (G1/4)  
M3 (G1/2) M4(1/2NPT)  
M5(1/4NPT) M9(Customized)