

MD-S828 INTELLIGENT DIGITAL PRESSURE SWITCH

TECHNICAL CHARACTERISTIC:

- ✓ 4 digit LED to show pressure in real time
- ✓ Multiple pressure units, one key to zero clearing
- ✓ Multiple connect method, work as controller, switch, digital electric contact pressure gauge
- ✓ Double relay output signal, each group with normally open and closed, independent hysteresis setting



MD-S828 is a intelligent digital pressure switch setting pressure measurement, pressure display, control in one professional unit. The product can set two groups NO/NC alarm points and also achieve two group high/low pressure control. 'One key to zero clearing' and 'three pressure units to change' are available.

We pay attention to the stability of circuit to adapt to the operating environment. The product has followed features: strong anti-electromagnetic interference, reverse protection, cells lightning protection.

APPLICATION:

- ◇ Machine automation
- ◇ Engineering machinery
- ◇ Medical equipment
- ◇ Pump & compressor
- ◇ Source and water treatment system
- ◇ Agricultural machinery
- ◇ Testing jig
- ◇ Hydraulic and pneumatic system

SPECIFICATION:

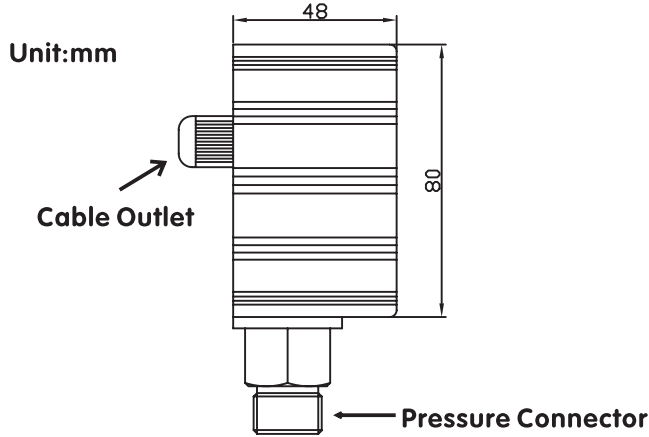
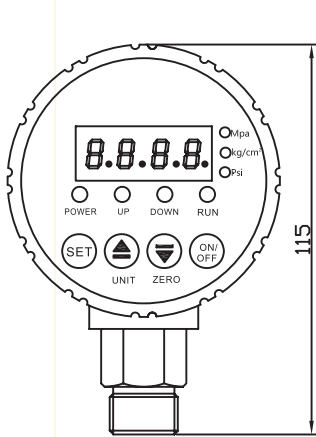
Range	-1...0~1Bar...2...6...10...16...25...50...100...250...400...600Bar
Overload Capacity	≤10Mpa 200% ; >10Mpa 150% ;
Alarm Point Set	Any point can be set within the range.
Alarm Method	Two groups relay signal (NO/NC)
Acc.	± 0.5%FS
Long-term Stability	Typical: ± 0.5%FS/year
Load Capacity	220VAC 3A
Supply	24VDC 220VAC 380VAC(Selectable)
Operating Temperature	-20 ~ 80°C
Compensation Temperature	-10 ~ 70°C
Electrical Protection	Reversed polarity, anti-electromagnetic interference
Sampling Frequency	5 times/sec
Measurement Medium	Liquid,gas compatible with 316SS
Connector	M20*1.5 (other customized)
Connector Material	304SS
Shell	Engineering plastic
Electrical Connection	8 core cable(standard 30cm)
Outlet Line	Power: red black 1 Group: COM green NO white NC brown 2 Group: COM blue NO yellow NC grey



上海铭控传感技术有限公司

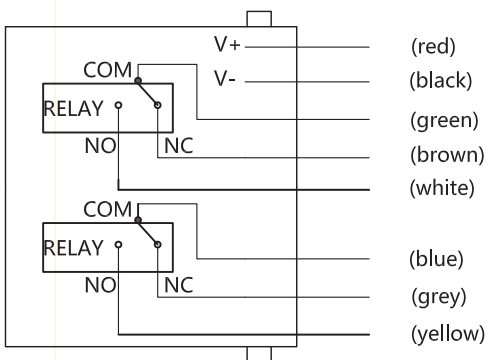
Mingkong Sensor Technology(Shanghai) Co.,Ltd
TEL:021-5778 0480 FAX:021-51564102

SIZE:



Replacement of digital electric contact pressure gauge

OUTLET LINE:



Function	Connecting Method
Replacement of digital electric contact pressure gauge	Low pressure alarm: brown High pressure alarm: yellow Common port: green+blue
Low pressure to contact high pressure to break	Output: brown+green Setting AL and hysteresis Ad1
Low pressure to break high pressure to contact	Output: yellow+blue Setting AH and hysteresis Ad2
Two groups high pressure alarm (high pressure to contact)	1 group: white+green (settingAL) 2 group: blue+yellow (settingAH)

Eg: When pressure increases to 10 bar, the relay breaks; and decreases to 4 bar, the relay contacts. Use the 1 group relay to control, setting AL 4 bar and Ad1 6 bar. Use the 2 relay group to control, setting AH 10 bar and Ad2 6 bar.

SELECT GUIDE:

MD- S828 - 50b - 1 - J - P2 - M1 - B - T1 - L

Range:

- X b(0-Xbar)
- X M(0-X Mpa)
- X P(0-X PSI)

Acc.:

1 (0.5% FS)

Output:

J (Relay Output)

Supply:

P2(24VDC) P4(220VAC)
P5(380VAC)

Addition:

L Display

Medium Temperature:

T1 (-20~+80°C)

Electric Connection:

B (Fixed Cable)

Screw Connection:

M1 (M20*1.5) M2 (G1/4)
M3 (G1/2) M7(Customized)