

## MD-S SERIES DIGITAL ELECTRO CONNECTING PRESSURE SWITCH

### TECHNICAL CHARACTERISTICS:

- ✓ 4 digit LED showing pressure in real time
- ✓ Three pressure units available, one key to zero clearing
- ✓ High precision; long serving time; good shock and impact resistance
- ✓ Connecting mode the same as mechanical electro connecting pressure gauge



MD-S925E/Z S825E/Z S625E are high precision digital electro connecting pressure gauges, setting pressure measurement, pressure display, control in one professional unit. "one key to zero clearing" and "Three pressure units switchable" are available.

We pay more attention to the circuit stability because of considering the operation environments with strong anti-interference capacity, electronic protection, surge protection.

The series electro connecting pressure gauge will replace the mechanical electro connecting pressure gauge to adapt to pressure sharp variation, frequently use, strong vibration occasion. It has followed features: display clearly, long serving time, easy operation, good shock resistance.

### APPLICATION:

- ◇ Machine Automation
- ◇ Engineering Machinery
- ◇ Medical Equipment
- ◇ Pump/compressor
- ◇ Source water treatment system
- ◇ Agricultural Machinery
- ◇ Testing Jip
- ◇ Hydraulic and pneumatic system

### SPECIFICATION:

Range	(-0.1~160)MPa,(0~100)kPa
Overload Capacity	≤10Mpa 200% ; > 10Mpa 150% ;
Alarm Setting	Every point can be set within the range.
Alarm Method	Two groups relays ( NC/NO )
Acc.	± 0.5%FS
Long-term Stability	Typical: ± 0.5%FS/year
Load Capacity	220VAC 5A 380VAC 3A 24VDC 5A
Supply	24VDC 220VAC 380VAC(Selectable)
Operation Temperature	-20 ~ 80°C
Compensation Temperature	-10 ~ 50°C
Electrical Protection	Reverse polarity protection, anti electromagnetic interference
Sampling Frequency	5 times/sec
Measurement Medium	Liquid, gas compatible with 316SS
Connector	M20*1.5 ( Others are customized )
Connector Material	304SS
Shell	304SS
Electric Connecting	Fixed 5 core cable direct line, air plug outlet, butt joint outlet
Outlet Lines	Power: red blue COM Black ; high NO Green ( grey ) , low NC white

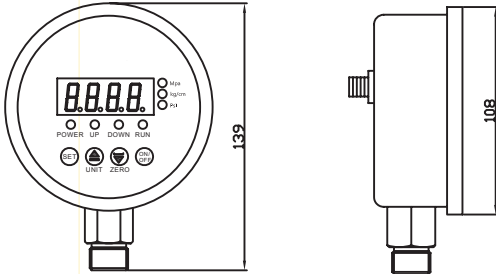


**上海铭控传感技术有限公司**

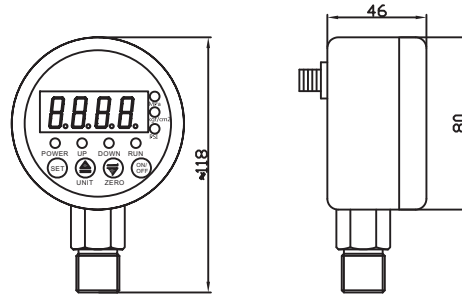
Mingkong Sensor Technology(Shanghai) Co.,Ltd  
TEL:021-5778 0480 FAX:021-51564102

SIZE: Unit: mm

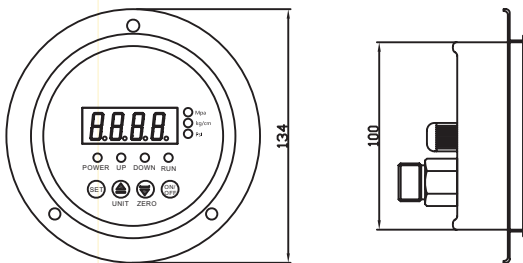
MD-S925E



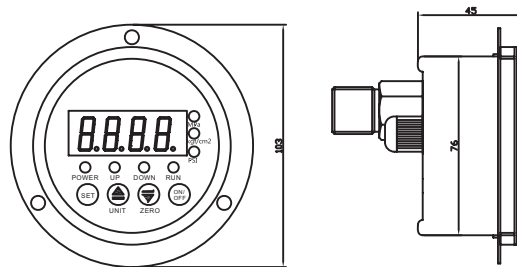
MD-S825E



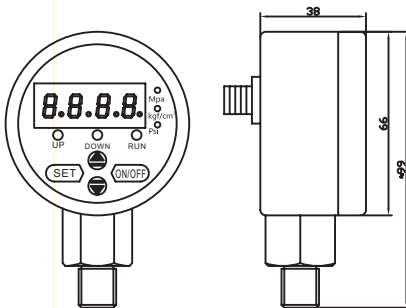
MD-S925Z



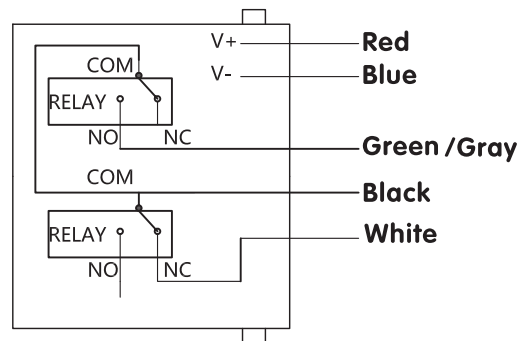
MD-S825Z



MD-S625E



Outlet Line:



Electro connecting pressure gauge is widely used to measure pressure of liquid and gas (no dangerous of explosion) in oil, chemical, metallurgical, power plant, machinery and other industrial sectors and Mechanical and electrical equipment. When the gauge works with proper electrical device(eg: relay, inverter), it can achieve automatic control and alarm.

Digital electro connecting pressure gauge( also be called digital pressure controller or digital pressure relay) has followed functions: setting, control, upper and lower limit setting, alarm delay.

According to different requirements of customers, different dial sizes (Diameter:60mm/80mm/100mm) are available. Different installation methods (Radial direction mounting and axial direction mounting) are also available. Different pressure ranges and different power supply are available.

**ATTENTION:** Product requirements on-site power supply. The output is relay signal(passive signal).

上海铭控传感技术有限公司

Mingkong Sensor Technology(Shanghai) Co.,Ltd  
TEL:021-5778 0480 FAX:021-51564102