

MD-S800E SERIES DIGITAL PRESSURE SWITCH

CHARACTERISTICS:

- ✓ 80mm diameter, 304SS shell, 4 digital LED
- ✓ Radial and axial mounting
- ✓ Different pressure units to chose: Mpa, Kgf/cm, Psi
- ✓ Set multiple functions: Delay control, reversed control, pressure leakage protection, password protection



MD-S800E series are intelligent digital pressure switch, setting pressure measure, display, control on one unit. It has the advantages of easy operation, high control precision, adjustable and so on. It includes two types: MD-S800E and MD-S800Z. We provide radial direction and axial direction mounting to meet customers' different requirements.

It has multiple functions: delay control, reversed control, pressure leakage protection, password protection, units switch, error clearing. The shell and connector are 304 stainless steel. It has good shock resistance, long service life, the characteristics of impact resistance and be used in hydraulic press, high pressure air compressor, high pressure cleaning machine.

APPLICATION:

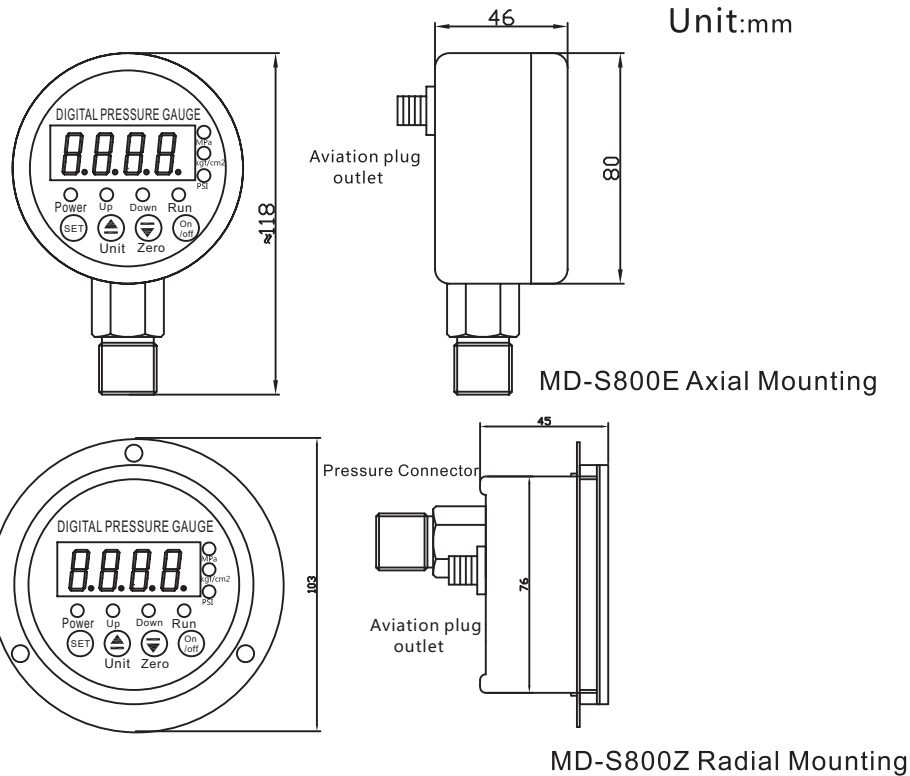
- ◇ Pump Control
- ◇ Air Compressor
- ◇ Automation Machinery
- ◇ Thermal Industry

SPECIFICATION:

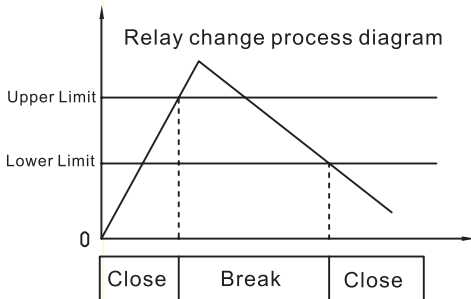
Range	General range : 0-0.2...1.0...1.6...5...10...25...40...60...100...160Mpa Micropressure Range : 0-5...10...25...40...60...100kPa Negative Pressure Range : -100~0kPa(-0.1~0MPa)
Overload Pressure	≤10Mpa 200% ; > 10Mpa 150% ;
Alarm Point	The whole range is available
Alarm Type	Relay signal
Acc.	±0.5%FS
Stability	Typical : ±0.5%FS/year
Load Capacity	220VAC 5A
Supply	24VDC 220VAC 380VAC(Selectable)
Operating Temperature	-20 ~ 80°C
Compensation Temperature	-10 ~ 60°C
Electric Protection	Reverse voltage protection, anti-electromagintic interference
Sampling Frequency	5Times/sec
Measurement Medium	Gas, liquid
Pressure Connector	M20*1.5 G1/2 G1/4 (other are customized)
Connector Material	304SS
Shell	Stainless Steel
Electric Connection	Length: 30cm
Output Line	Power: Red Blue Output: Back White



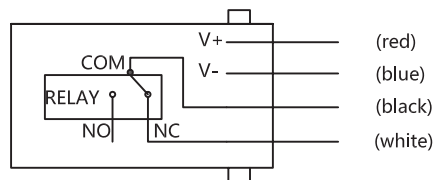
SIZE:



ELECTRICAL SPECIFICATION:



Outlet Line



*Reverse control is available
(Low pressure to start, high pressure to stop)

SELECTION MODE:

