

MD-S628E DIGITAL PRESSURE SWITCH

CHARACTERISTICS:

- ✓ 60mm diameter, 304SS shell
- ✓ Radial and axial mounting
- ✓ Different pressure units to chose, one key to zero clearing
- ✓ Double relay output signal, each group with NO/NC, returning difference be set independent
- ✓ Multiple connection modes, be used as controller, switch, digital electro connecting pressure gauge



MD-S628E is a intelligent digital pressure switch, setting pressure measurement, pressure display, control in one professional unit. It can be set two group NO/NC alarm points and also achieve two group high and low pressure control. “One key to zero clearing” and “three pressure unit to change” are available.

We pay more attention to the stability of circuit with anti-electromagnetic interference, cells lightning protection and electronic protection. The shell and connector are 304SS.

APPLICATION:

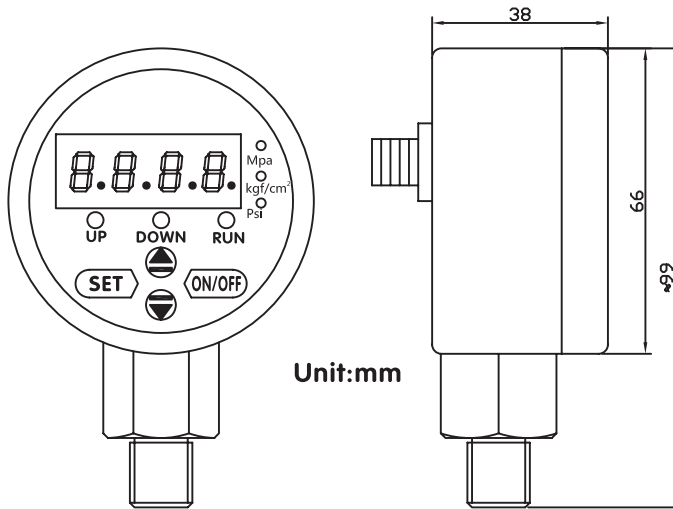
- ◇ Machine automation
- ◇ Medical equipment
- ◇ Source and water treatment system
- ◇ Testing jig
- ◇ Engineering machinery
- ◇ Pump & compressor
- ◇ Agricultural machinery
- ◇ Hydraulic and pneumatic system

SPECIFICATION:

Range	General range: 0-0.2...1.0...1.6...5...10...25...40...60...100...160Mpa Micropressure Range: 0-5...10...25...40...60...100kPa Negative Pressure Range: -100~0kPa(-0.1~0MPa)
Overload Pressure	≤ 10Mpa 200% ; > 10Mpa 150% ;
Alarm Point	The whole range is available
Alarm Type	Double relay output signals (each group NO/NC)
Acc.	± 0.5%FS
Stability	Typical: ± 0.5%FS/year
Load Capacity	24VDC 0.5A
Supply	24VDC
Operating Temperature	-20 ~ 80°C
Compensation Temperature	-10 ~ 70°C
Electric Protection	Reverse voltage protection, anti-electromagintic interference
Sampling Frequency	5Times/sec
Measurement Medium	Gas, liquid
Pressure Connector	M20*1.5 (other are customized)
Connector Material	304SS
Shell	Stainless Steel
Electric Connection	Waterproof aviation plug(line0.7m)
Output Line	Source: Red black

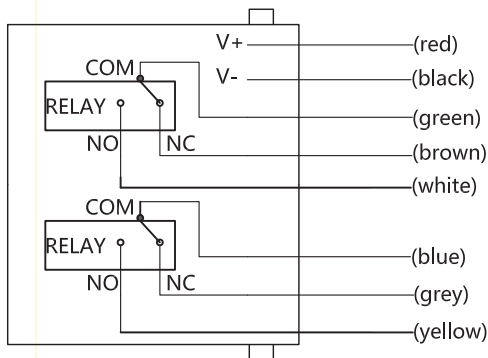


SIZE:



Unit:mm

OUTLET:



SELECTION GUIDE:

MD — S628E — 25M — 1 — P4 — M1 — C — T1 — L

Model:

S628E(Radial)

Range:

- X k (0-X kpa)
- X b(0-X bar)
- X M(0-XMPa)

Acc.:

1 (0.5%)

Supply:

- P2(24V) P4(220V)
- P5(380V) P6(12V)

Addition:

L Display

Medium Temperature:

T1 (-20~80°C)

Electric Connection:

- B(Cable)
- C(Aviation plug)

Screw Connection:

- M1 (M20*1.5) M2 (G1/4)
- M3 (G1/2) M4(1/2NPT)
- M5(1/4NPT) M7(customized)

上海铭控传感技术有限公司

Shanghai Meokon Sensing Technology Co.,Ltd
TEL:021-5778 0480 FAX:021-51564102