

MD-S600 INTELLIGENT DIGITAL PRESSURE SWITCH

TECHNICAL CHARACTERISTICS:

- ✓ 4 digit LED showing pressure in real time, accuracy better than 0.5%FS
- ✓ Different units switchable:Bar Kpa PSI
- ✓ High precision, fast response, long-term stability, easy operating
- ✓ Double relay output signal, each group with normally open and closed, alarm point be set discretionarily



MD-S600 is a intelligent digital pressure switch, setting pressure measurement, pressure display, control in one professional unit. It uses high precision silicon piezoresistive sensor as its sensitive element with the features: high measuring accuracy, long-term stability, good medium compatibility.

This gauge is equipped with high precision instrument amplifier to amplify pressure signal, and achieve temperature compensation in full scale and full temperature range. Its functions: pressure measurement, liquid level signal measurement, control pressure and liquid level. It also can be equipped with 4-20 MA far signal output to meet different requirements,

The shell uses all-metal construction without gap. The pressure sensing mebrane uses stainless steel chips. The product can be widely used in machinery chemical, automatic control system.

APPLICATION:

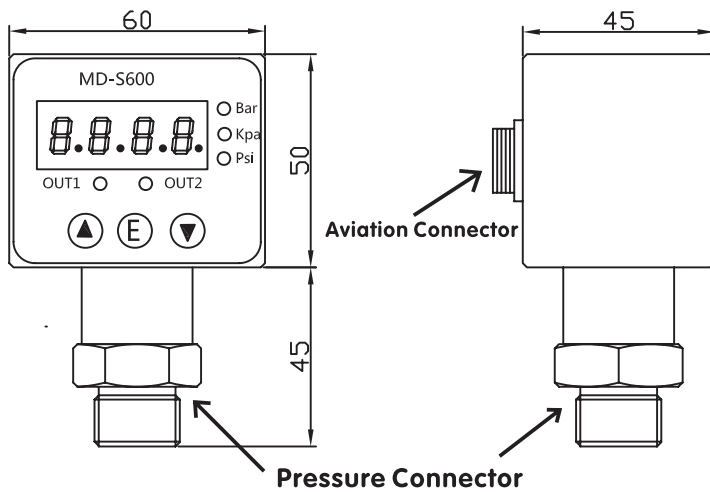
- ◇ Machine automation
- ◇ Medical equipment
- ◇ Source and water treatment system
- ◇ Testing jig
- ◇ Engineering machinery
- ◇ Pump & compressor
- ◇ Agricultural machinery
- ◇ Hydraulmatic and pneumatic system

SPECIFICATION:

Range	0...5KPa...10KPa...20Kpa(Micropressure) -1~1...10...50...250...600Bar(Selectable)
Overload Pressure	Range ≥ 100Bar 150% ;Range < 100Bar 200%;
Alarm Point	Alarm point be set discretionarily
Alarm Type	Double relay output signal, each group with normally open and closed
Acc.	± 0.5%FS ± 0.25%FS
Long-term Stability	Typical: ± 0.2%FS
Load Capacity	220VAC 3A ;24VDC 5A
Supply	24VDC 220VAC (Selectable)
Operating Temperature	-20 ~ 85°C
Compensation Temperature	-10 ~ 70°C
Electric Protection	Cells lightning protection, electronic protection, EN61326
Sampling Frequency	10 Times/sec
Measurement Medium	Gas, liquid
Pressure Connector	M20*1.5、NPT1/4、G1/4 (Others customized)
Connect Material	304SS
Sensor Mebrane	316LSS
Shell	Aluminium Alloy
Standard Fittings	8 Core Cable (Cable length: 30cm)



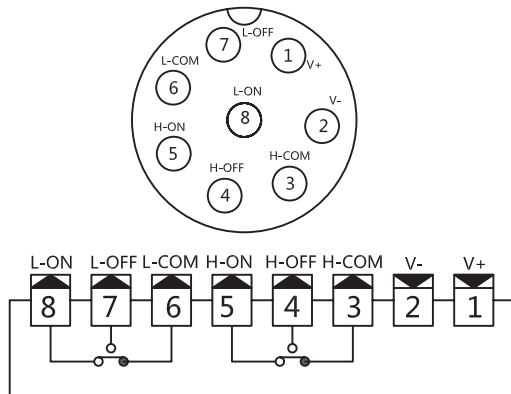
SIZE:



Unit:mm

*The standard line of aviation connector is 30cm.

AVIATION CONNECTOR DESCRIPTION :



SELECTION GUIDE:

MD - S600 - 16b - 1 - J - P2 - M1 - C - T1 - L

Range:

- X k (0-X kpa)
- X b(0-X bar)
- X P(0-X PSI)

Acc:

- 1 (0.5% FS) 2(0.25%FS)

Output:

- J (Relay) E (Other)

Supply:

- P2(24VDC)
- P4(220VAC)

Addition:

L Display

Medium Temperature:

- T1 (-20~+80°C)
- T3 (0~+150°C)
- T4 (0~+200°C)

Electrical Connection:

C (Aerial Linker)

Screw Connection:

- M1 (M20*1.5) M2 (G1/4)
- M3 (G1/2) M4(1/2NPT)
- M5(1/4NPT) M7(Customized)

PRESSURE SWITCH