

MD-S280C DIGITAL PRESSURE RECORDER

TECHNICAL CHARACTERISTICS:

- ✓ 80mm diameter, 304 stainless steel case
- ✓ timing acquisition, USB output, support data export
- ✓ With data software, special data communication line
- ✓ It can store up to 10,000 pcs data, It displays range when switch on
- ✓ With pressure display bar, indicating the current pressure percentage, one-button zero-clearing function



This gauge is a high-precision and intelligent digital pressure gauge with data record. It has a high-precision sensor and displays the pressure accurately in real time, equipped with a large size LCD. It has a various of features, such as zero clearing, backlight, on/off button, record time setting, On/off record units, low voltage alarm. And it is convenient to install and easy to operate.

This product adopts SS304 materials of case and connector. It can be used to measure gas, liquid, oil and other non-corrosive mediums. It applies to these fields: portable pressure measurement, equipment supporting, equipment calibrations.

APPLICATION:

- ◇ Machinery and electronic industry
- ◇ Instruments
- ◇ Pressure laboratory
- ◇ Mechanical engineering automation
- ◇ Replacement of pointer pressure gauge

SPECIFICATION:

Range	Micropressure : (6...10...25) kPa Medium Range : (0.4...0.6...25...60) MPa Ultra High Pressure : (100...160) MPa Compound Range : (-5~-5...10...-100~1000) kPa Absolute Pressure : (0~100...250...1000) kPa Differential Pressure : (0~10...25...40...60...100...250...400...600) kPa (0~1...1.6) MPa
Overload Capacity	≤10 MPa, 200% ; > 10MPa, 150%
Backlight Color	White
Dial Size	80mm
Acc.	0.2%FS(special customized) 0.4%FS(20 ± 5 °C)
Long-term Stability	Typical: ± 0.2%FS/year
Storage Temperature	-20~70 °C
Testing Temperature	5 ~ 40 °C(customized)
Relative humidity	< 85%
Power supply	2 AA batteries
Sampling Frequency	5 Times/sec
Measurement Medium	Gas, liquid, oil etc
Pressure Connection	M20*1.5 , G1/4, NPT1/4 or customized
Material of Connector & Shell	304SS
Electromagnetic compatibility	Anti-emi design, conform to EN61326 standard
Data memory	Permanent EEPROM
Function	On/off, zero clearing, units changing, backlight, calibration
IP rating	IP50 (IP54with protection sleeve)

上海铭控传感技术有限公司

MEOKON SENSOR TECHNOLOGY(SHANGHAI) CO., LTD.

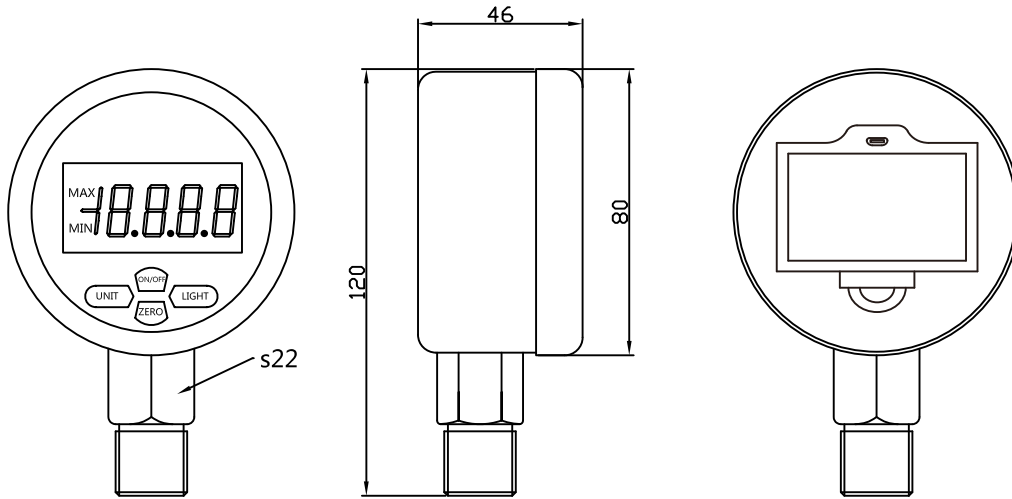
TEL:021-57780480 57780436

FAX:021-51564102



SIZE:

UNIT:mm


SELECTION GUIDE:
MD-S280C E - P - 1M - 6 - P2 - M1 - T1 - L
INSTALLATION MODE:

 E(Radial Installation)
 Z(Axial Installation)

FEATURE:

 X(Normal)
 P(Homogeneous Membrane)
 DP(Differential Pressure)
 KF(Clamp) DN(Flange)

RANGE:

 X k (0-X kPa)
 X b (0-X bar)
 X M (0-XMPa)

ACCURACY:

1 (0.4%) 2 (0.2%)

POWER SUPPLY:

P0(Battery powered) P2(24V)

ADDITION:

 L(Display)
 I(Explosion-proof)

MEDIUM TEMPERATURE:

 T7 (Customized)
 T1 (5~40°C)

SCREW THREAD:

 M1 (M20*1.5) M2 (G1/4)
 M3 (G1/2) M4(1/2NPT)
 M5(1/4NPT) M7(ZG1/4)
 M9(Customized)
