

MD-S260 INTELLIGENT DIGITAL PRESSURE GAUGE

TECHNICAL CHARACTERISTICS:

- ✓ 4 digit LCD showing the pressure accurately in real time
- ✓ Different pressure units to change, zero clearing, backlight, on/off
- ✓ Battery powered, low-power design keeping working for 18 months
- ✓ All stainless steel shell, small size
- ✓ Pressure percentage display



This gauge is a high-precision and intelligent digital pressure gauge. It has a high-precision sensor and display the pressure accurately in real time, equipped with a large size LCD. It has a various of features, such as zero clearing, backlight, on/off button, units, low voltage alarm. And it is convenient to install and easy to operate.

The surface and connector of the product is 304SS. It can be used to measure gas, liquid, oil and other non-corrosive mediums of stainless steel. It applies to these fields: portable pressure measurement, equipment supporting, equipment calibrations.

APPLICATION:

- Machinery and electronic industry
- Supporting equipment of instruments and meters
- Pressure Laboratory
- Mechanical engineering automation

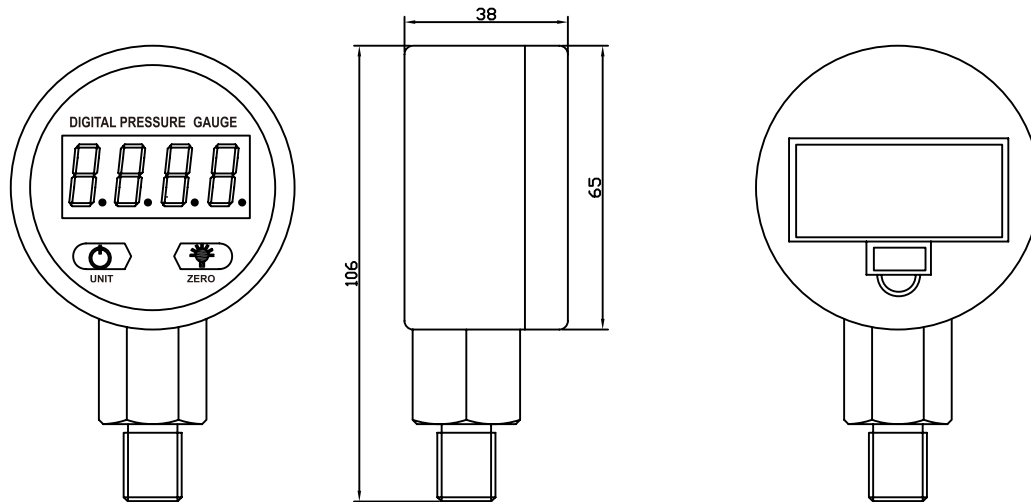
SPECIFICATION:

Range	Micropressure : (0.1...0.16...0.25) MPa Medium Voltage : (0.4...0.6...4) MPa High Pressure : (6...10...25) MPa Differential Pressure : (0~10...25...40...60...100...250...400...600)kPa (0~1...1.6)MPa
Over Pressure	150%;
Backlight Color	White
Dial Size	60mm
Acc.	1%FS
Long-term Stability	Typical: ± 0.5%FS/year
Operating Temperature	-5~40°C
Compensation Temperature	En61326
Electric Protection	Anti Electro Magnetic Interference
Sampling Frequency	2 Times/sec
Measurement Medium	Gas, liquid, water
Connection	M20*1.5,G1/4,G1/2 or 1/4NPT,1/2NPT(customized)
Connection Material	304SS
Shell Material	304SS
Power Supply	2 AAA batteries
Function	On/off, zero clearing, units changing, backlight
Battery Mode	Triple A battery
IP rating	IP50 (IP54with protection sleeve)



SIZE:

UNIT:mm


SELECTION GUIDE:
MD-S260 E - P - 1M - 1 - P2 - M20 - T1 - L
Model:
S260(60mm)

Installation mode :
E(Radial Installation)
Z(Axial Installation)

Feature:
X(Normal)
P(Homogeneous Membrane)
DP(Differential Pressure)
KF(Clamp) DN(Flange)

Range:
X k (0-X kPa)
X b(0-X bar)
X M(0-XMPa)

Accuracy:
6 (1%)

Addition:

 L(Display)
I(Explosion-proof)

Medium temperature::

 T0 (-5~40°C)
T9 (Customized)

Connection:

 M20(M20*1.5) G14(G1/4)
G12(G1/2) N12(NPT1/2)
N14(NPT1/4) ZG14(ZG1/4)
M9(Customized)

Power supply :

P0(3V) P2(24V)

