

MD-G501 SERIES ULTRA-SMALL WIRELESS PRESSURE SENSOR

TECHNICAL CHARACTERISTICS:

- ✓ Small size, maxi height 82.5mm
- ✓ Bluetooth transmission, the longest distance is more than 20 meters
- ✓ Various functions: unit switch, zero clearing, high and low alarm and fluctuation alarm threshold set
- ✓ Battery powered, low-power design keeping working for 12 months
- ✓ Supports Bluetooth configuration and remote parameter configuration with Bluetooth gateway. reduce maintenance costs



Ultra-small wireless pressure transmitter adopts ultra-low power bluetooth transmission module, with high-precision pressure sensor and digital conditioning circuit, compact size, it is convenient to install and easy to operate.

The product supports a variety of adaption methods, support mobile phone data view. You can search wireless sensor in WeChat app, connect the wireless sensor with the mobile phone Bluetooth, Check the data and parameter configuration closely.

Bluetooth gateway can be selected to transfer 4G to the cloud through the gateway. Or use Ethernet to transmit to the local server.

This series of wireless sensors can be used in pressure monitoring where the wiring is inconvenient.

APPLICATIONS:

- ◇ Model test ◇ Wind tunnel experiment ◇ Hydraulic equipment
- ◇ Petroleum and petrochemical ◇ Automatic production line ◇ Pipe network
- ◇ Pump room and machine room

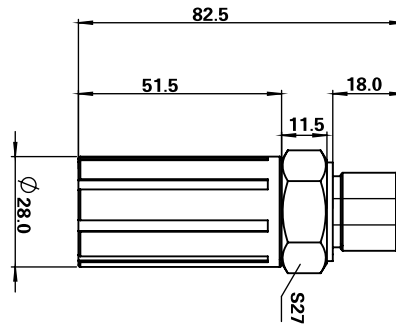
TECHNICAL PARAMETERS:

Range	-0.1...-0.01-0...0.1...1...1.6...200MPa
Connection	M20*1.5, G1/4, G1/2 or 1/4NPT,1/2NPT (customized)
Overload capacity	< 10MPa 200%; ≥ 10MPa 150%
Accuracy	0.5%FS 0.25%FS
Long-term stability	Typical ± 0.25%FS/year
Operating temperature	-5~40°C
Storage temperature	-40~80°C
Power Supply	CR 2032 button battery (standard), extensible
Shell material	PA 66
Connection Material	304SS
Transmission distance	> 20 meter
Standby power consumption	<5uA
Measuring medium	Water, oil, gas, Non - corrosive medium for stainless steel
Attachment	CR 2032 battery, debugging applet and account number



DIMENSION:

UNIT:mm


BLUETOOTH GATEWAY:

MD-GW1106-BT
SELECTION GUIDE:
MD - G501 - 10M - 1 - BT - P0 - M20 - T1
Model:

 G501
(Ultra-small wireless)

Range:

 X M(0-X MPa)
 X k(0-X kPa)
 X P(0-X PSI)

Accuracy:

1 (0.5% FS) 2 (0.25% FS)

Transmission mode:

BT (BLE)

Measurement temperature:

T1 (-20~+60°C)

Screw thread:

 M20 (M20*1.5)
 G12 (G1/2)
 N12(NPT1/2)

 G14 (G1/4)
 G18 (G1/8)
 N14 (NPT1/4)
 M9(Customized)

Power supply:

P0(Battery)

